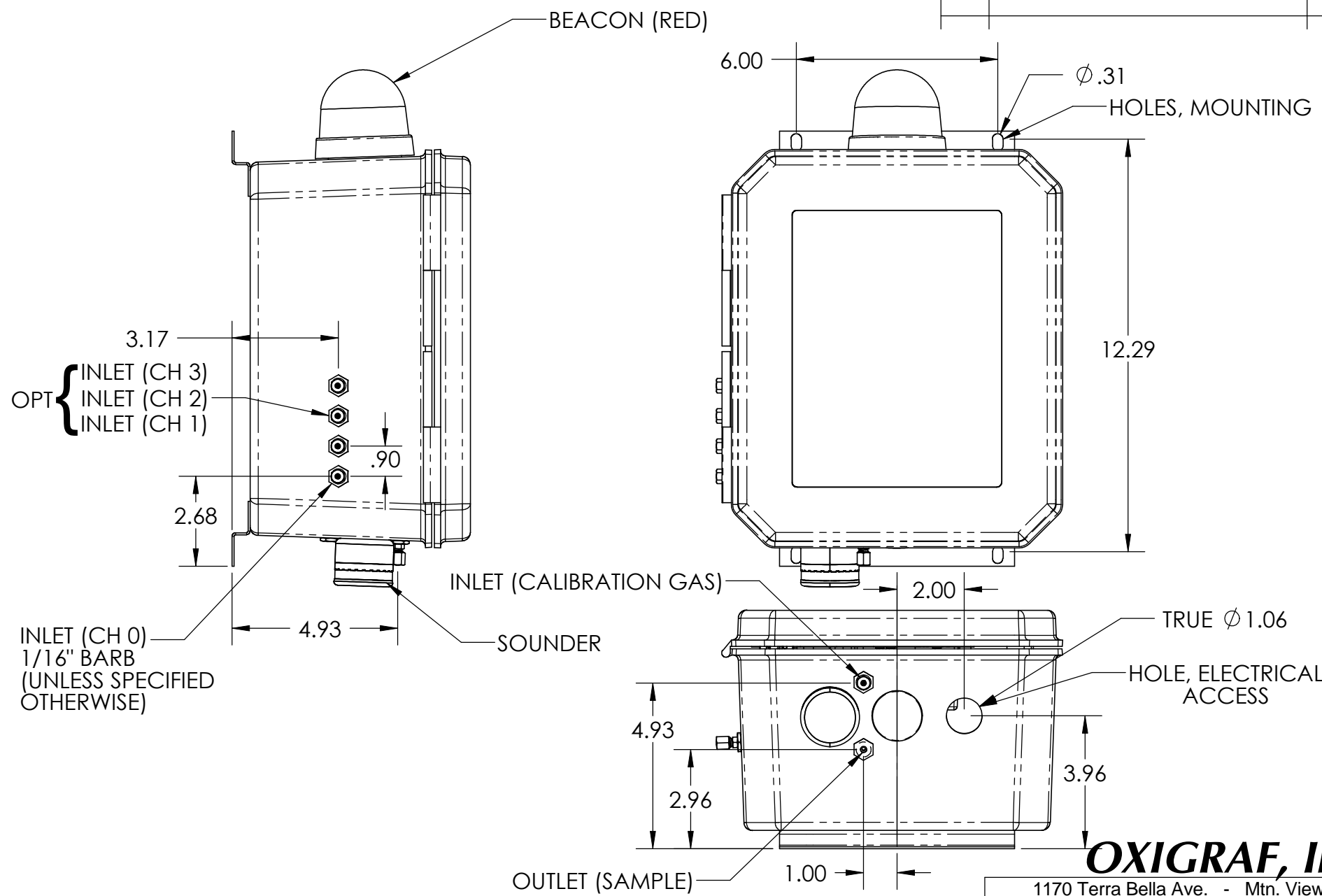


REV.	DESCRIPTION	DATE	APPR



**OXIGRAF, Inc.**

1170 Terra Bella Ave. - Mtn. View, CA 94043  
(650) 237-0155 PHONE (650) 237-0159 FAX

**CONFIDENTIAL**

THE INFORMATION CONTAINED IN THIS DRAWING IS THE SOLE PROPERTY OF OXIGRAF, INCORPORATED. ANY REPRODUCTION IN PART OR WHOLE WITHOUT THE WRITTEN PERMISSION OF OXIGRAF, INCORPORATED IS PROHIBITED.

CAD GENERATED DRAWING,  
DO NOT MANUALLY UPDATE

UNLESS OTHERWISE SPECIFIED  
DIMENSIONS ARE IN INCHES -- TOLERANCES ARE:  
FRACTIONS DECIMALS ANGLES  
± X/X .XX ± .01 ± 1°  
.XXX ± .005

MATERIAL:  
FINISH:  
WEIGHT: --  
DO NOT SCALE DRAWING

APPROVALS		DATE
DRAWN	TMW	2-26-2009
CHECKED	--	--
RESP ENG	--	--
MFG ENG	--	--
QUAL ENG	--	--

TITLE		
ASSEMBLY, OXYGEN DEFICIENCY MONITOR, O2iM		
SIZE	DWG #	REV
<b>A</b>	07-0181	<b>A0</b>
SCALE	1:4	SHEET 1 of 1